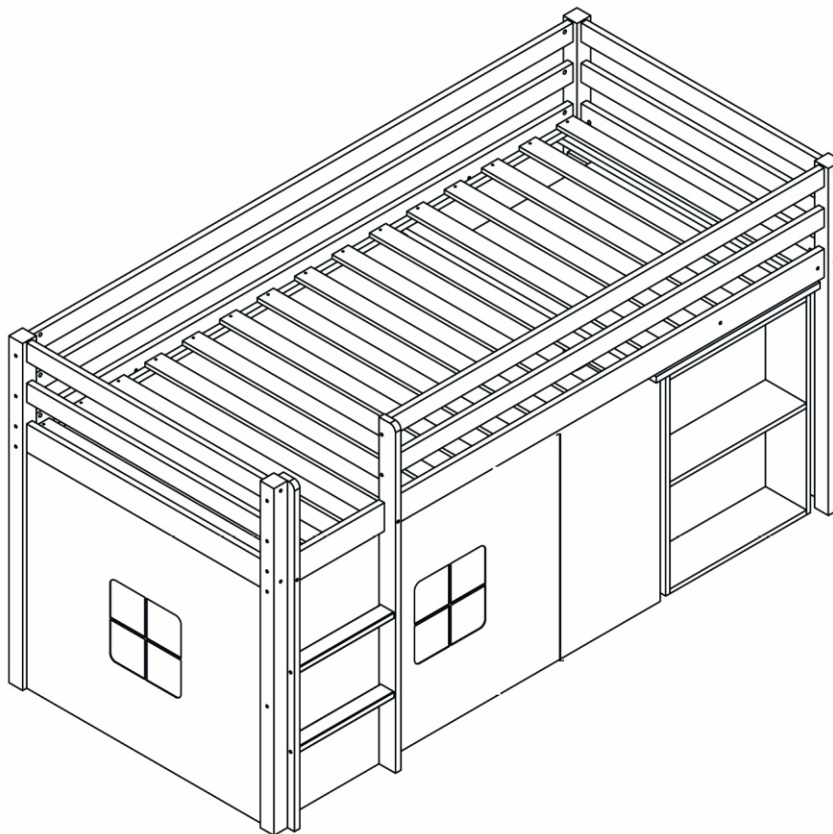






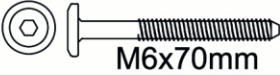
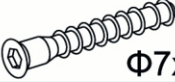

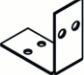




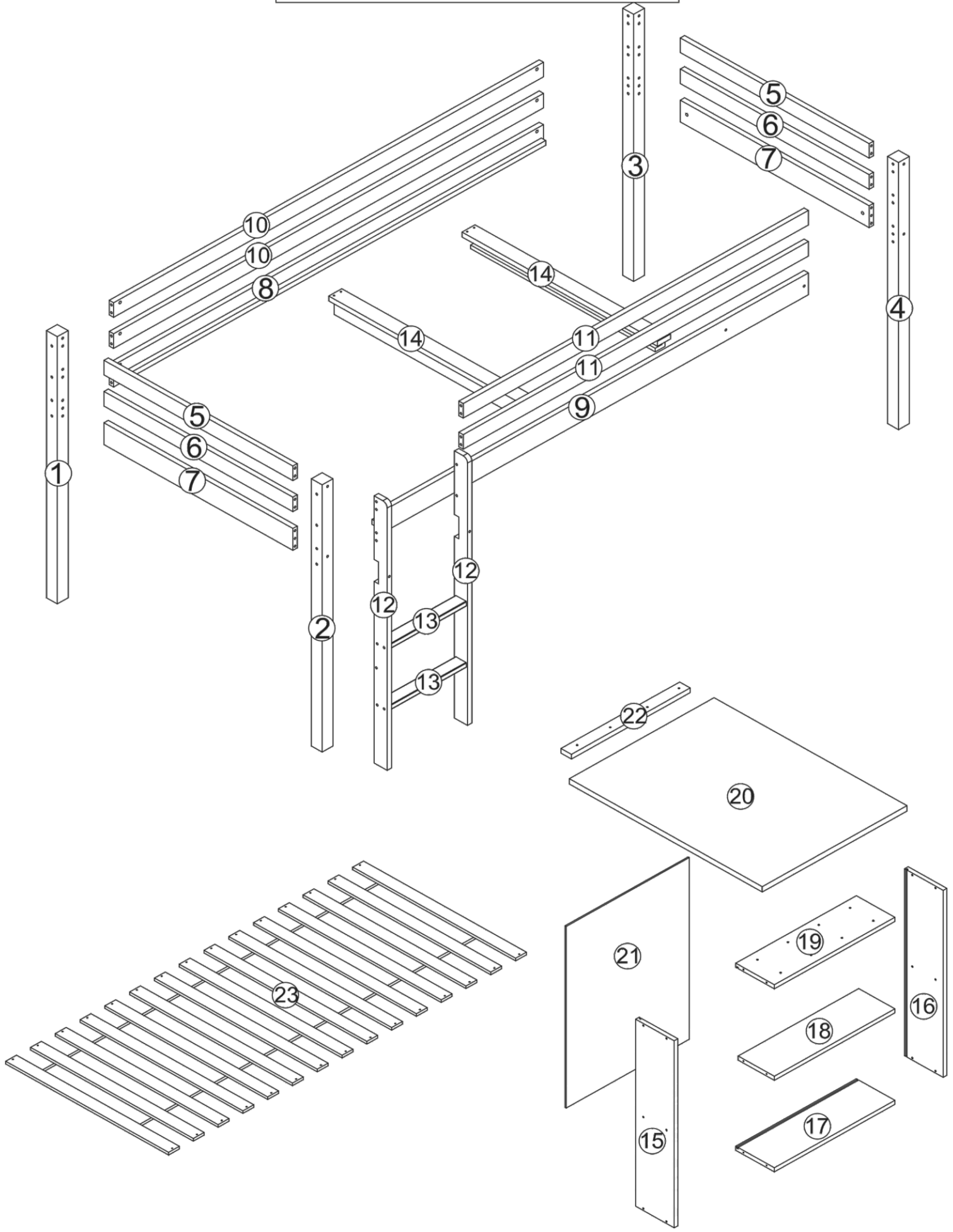


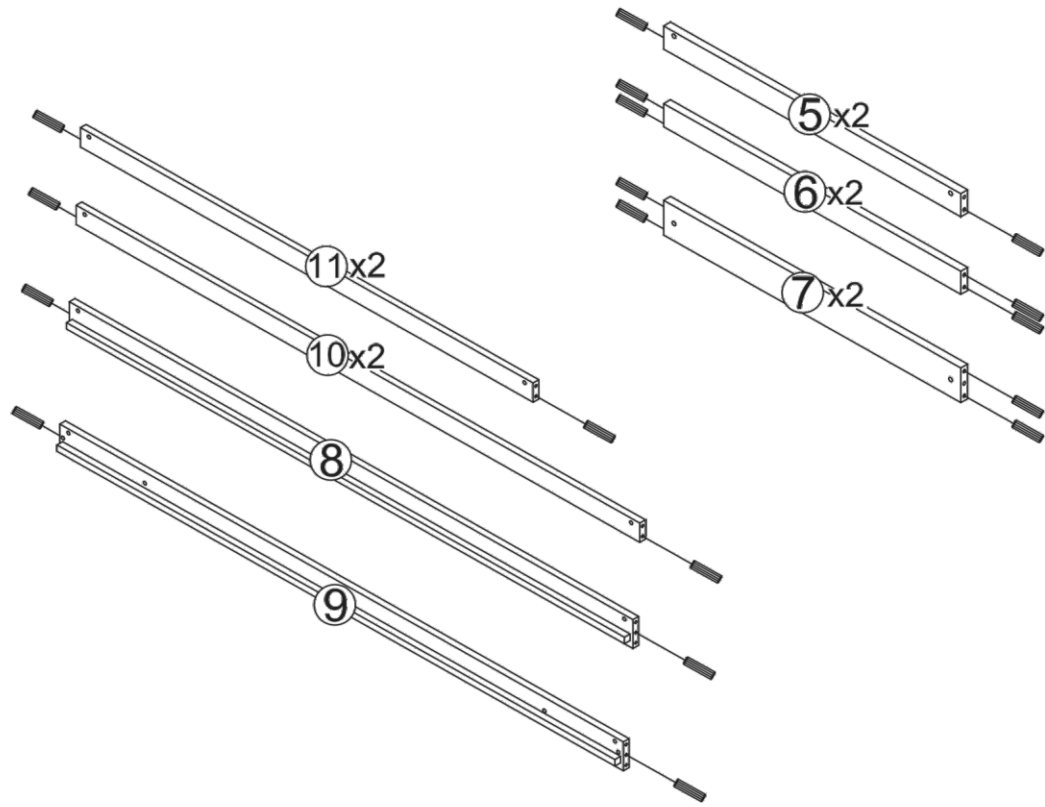
ALZENA

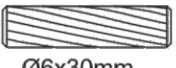


A	 M6x90mm	22	H	 $\Phi 6 \times 70 \text{mm}$	08
B	 M6	24	I	 $\Phi 4 \times 30 \text{mm}$	56
C	 $\text{\O} 8 \times 30 \text{mm}$	32	J	 $\Phi 4 \text{mm}$	01
D	 M6x70mm	02	K	 $\Phi 7 \times 60 \text{mm}$	12
E	 M6x50mm	02	L		02
F	 M6x60mm	03	M		02
G		05	N	 $\Phi 4 \times 16 \text{mm}$	12

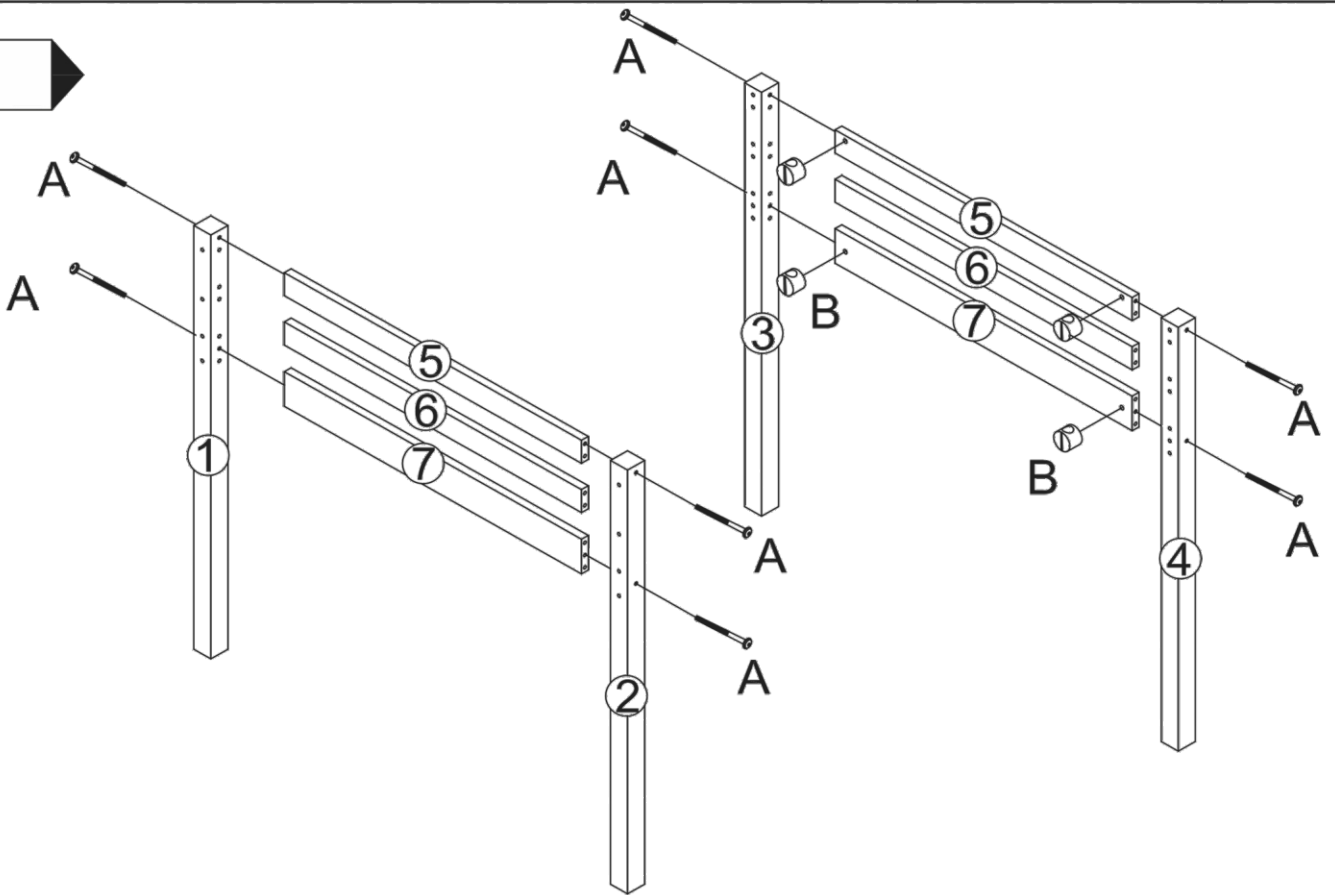


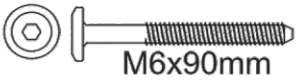

I.



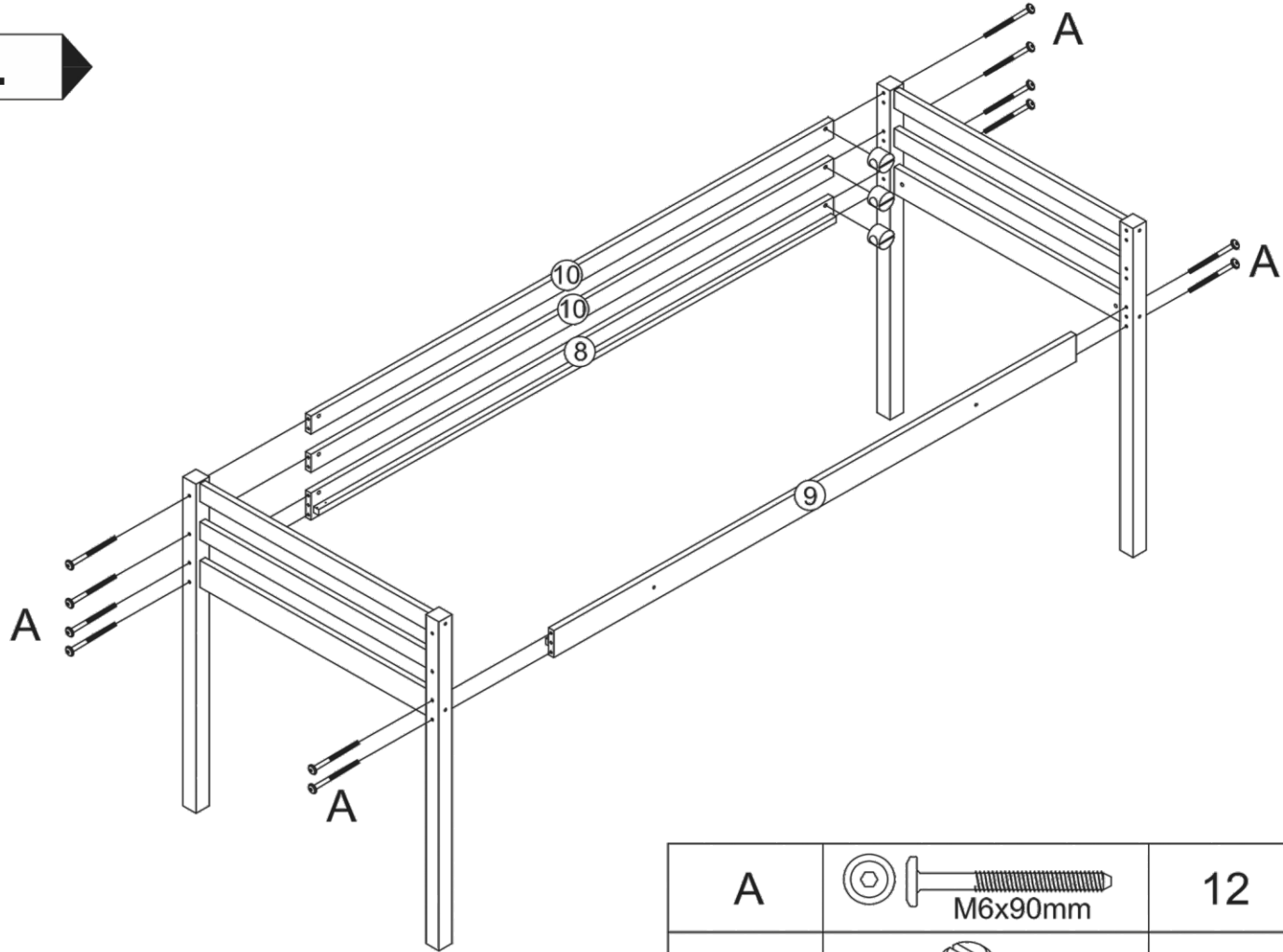
C	 Ø6x30mm	32
---	--	----



II.



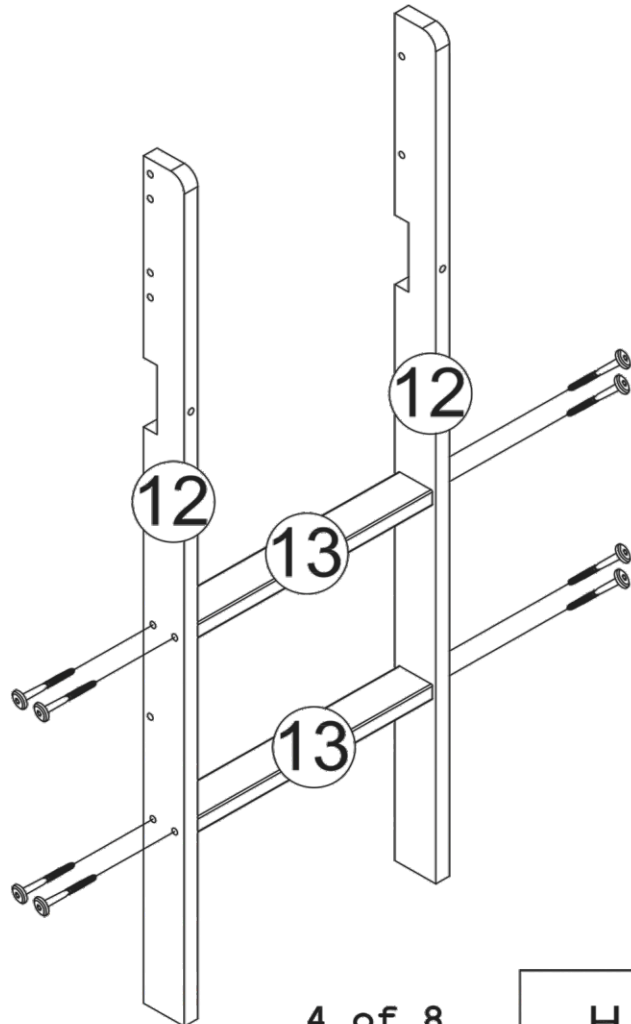
A	 M6x90mm	08
B	 M6	08

III. 



A	 M6x90mm	12
B	 M6	12

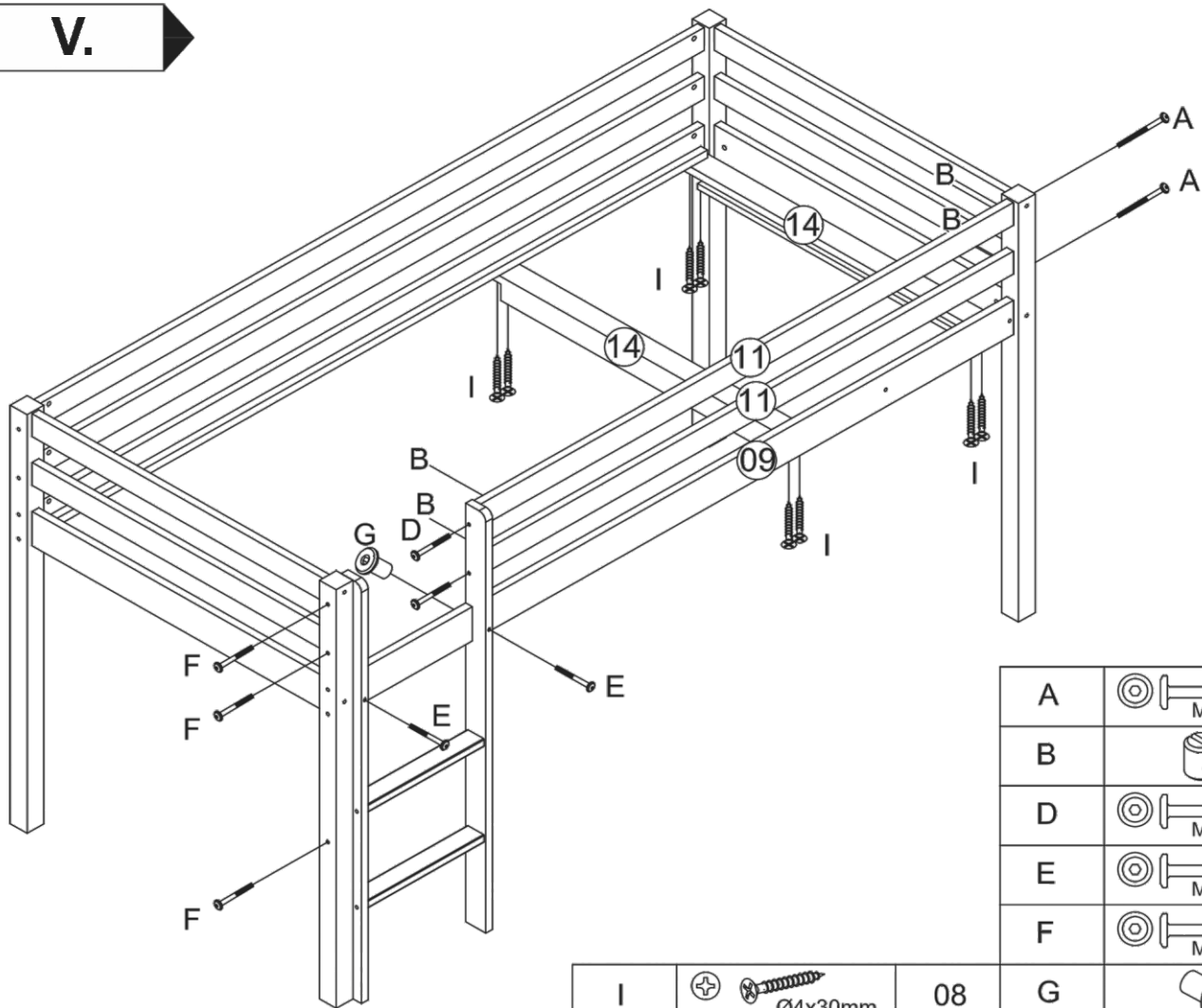
IV. 



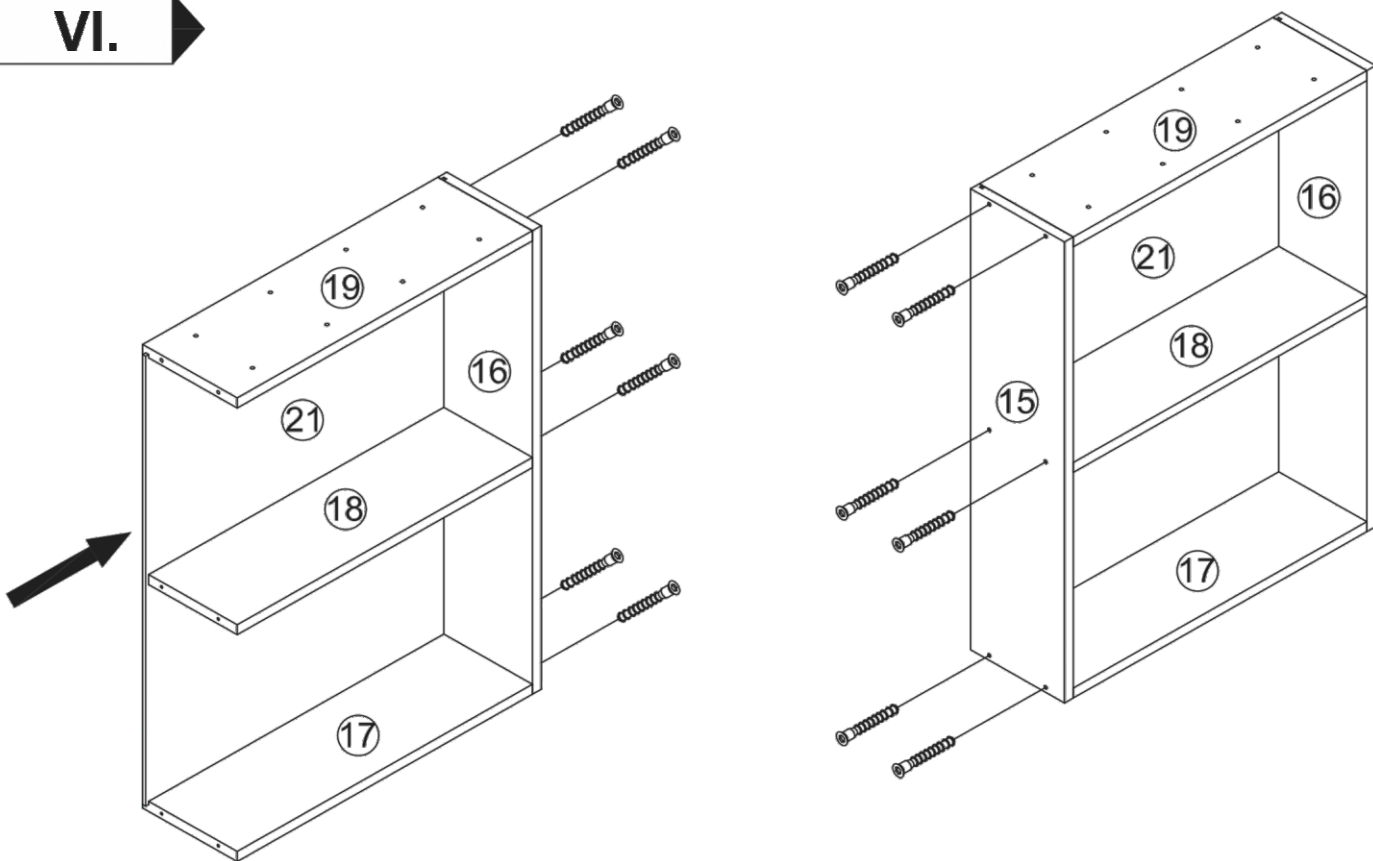
4 of 8

H	 Φ 6x70mm	08
---	---	----

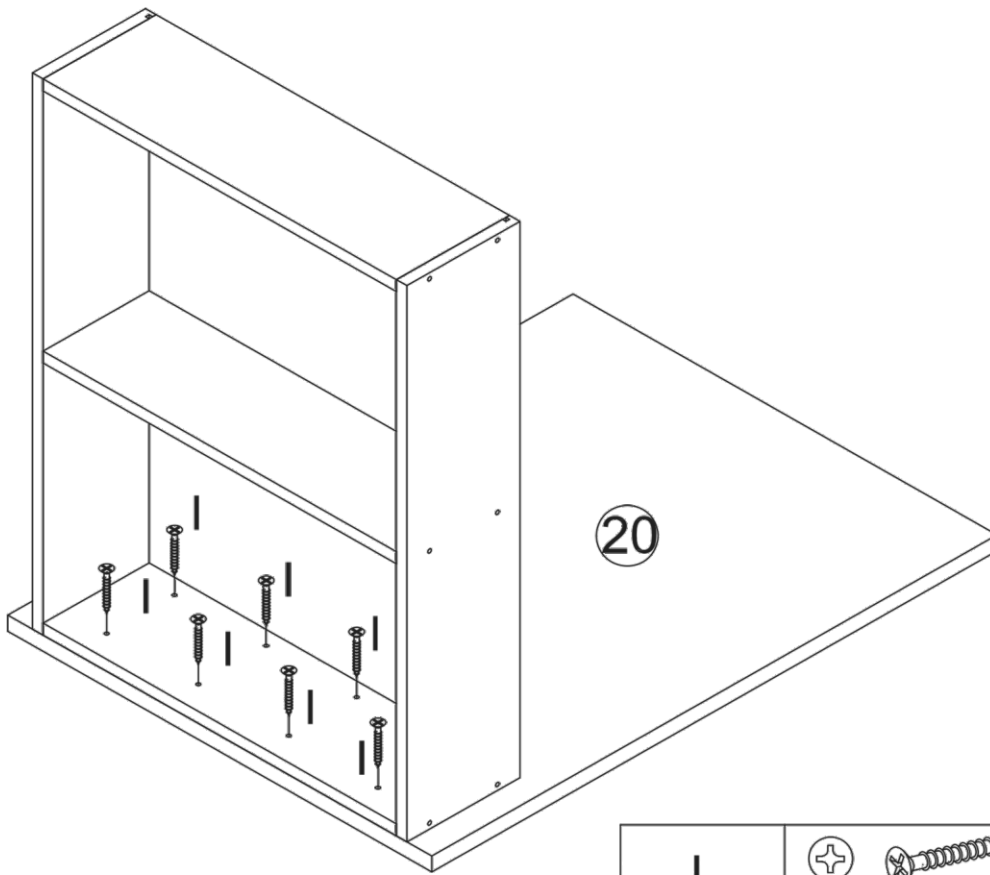
V.





VI.

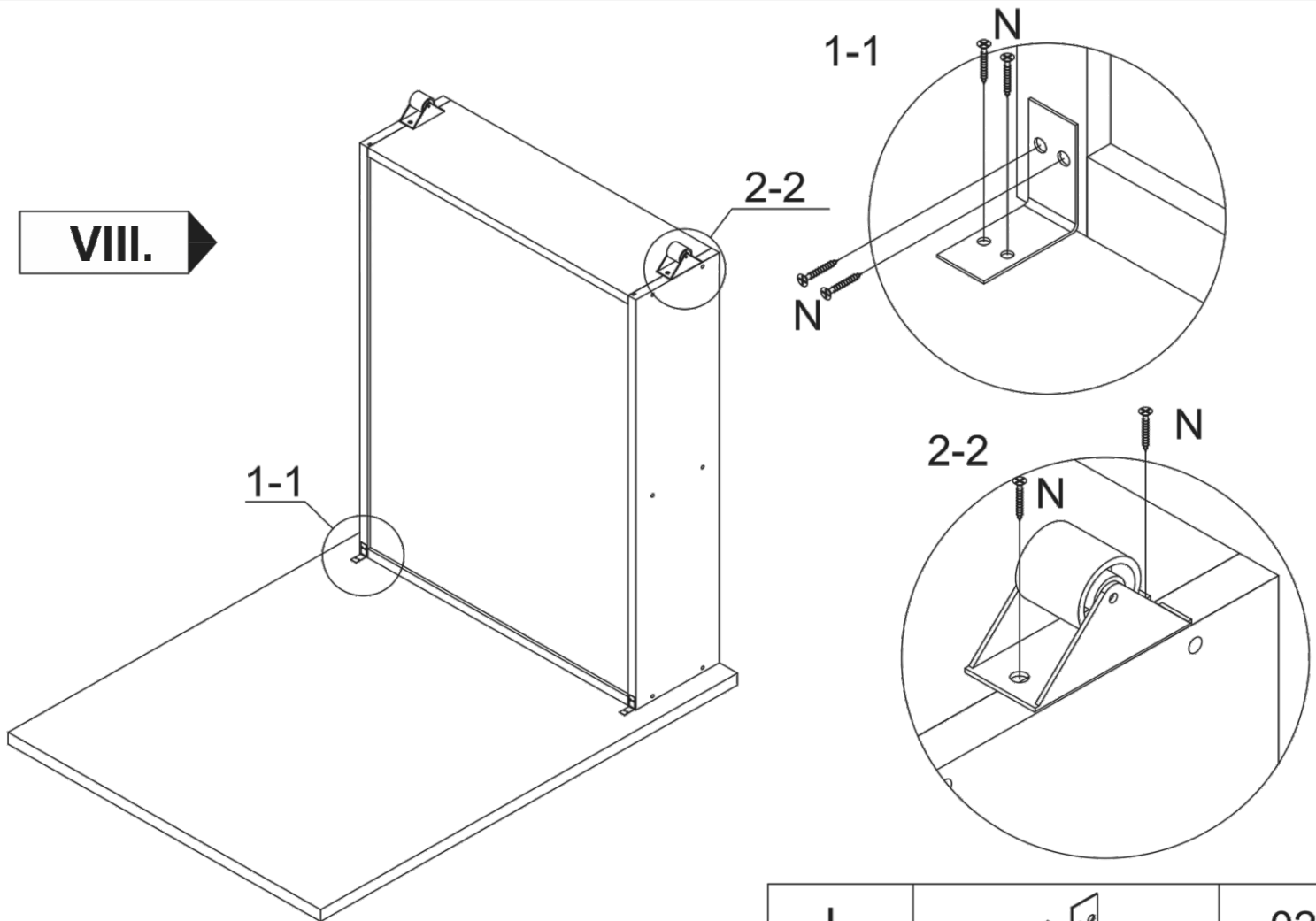


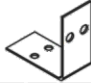

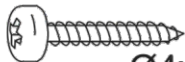
VII.



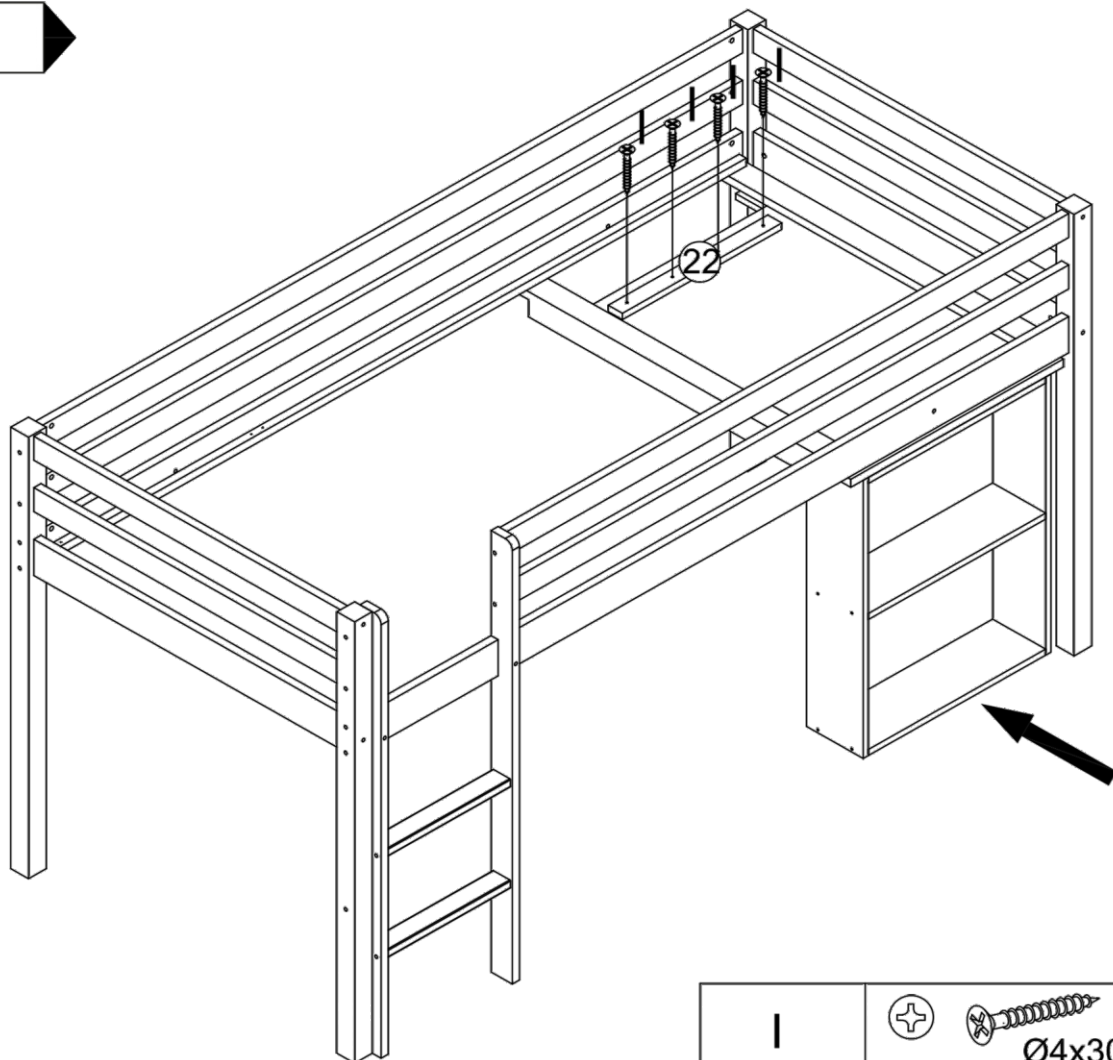
I	  Ø4x30mm	08
---	--	----

VIII.



L		02
M		02
N	 Ø4x16mm	12

IX.



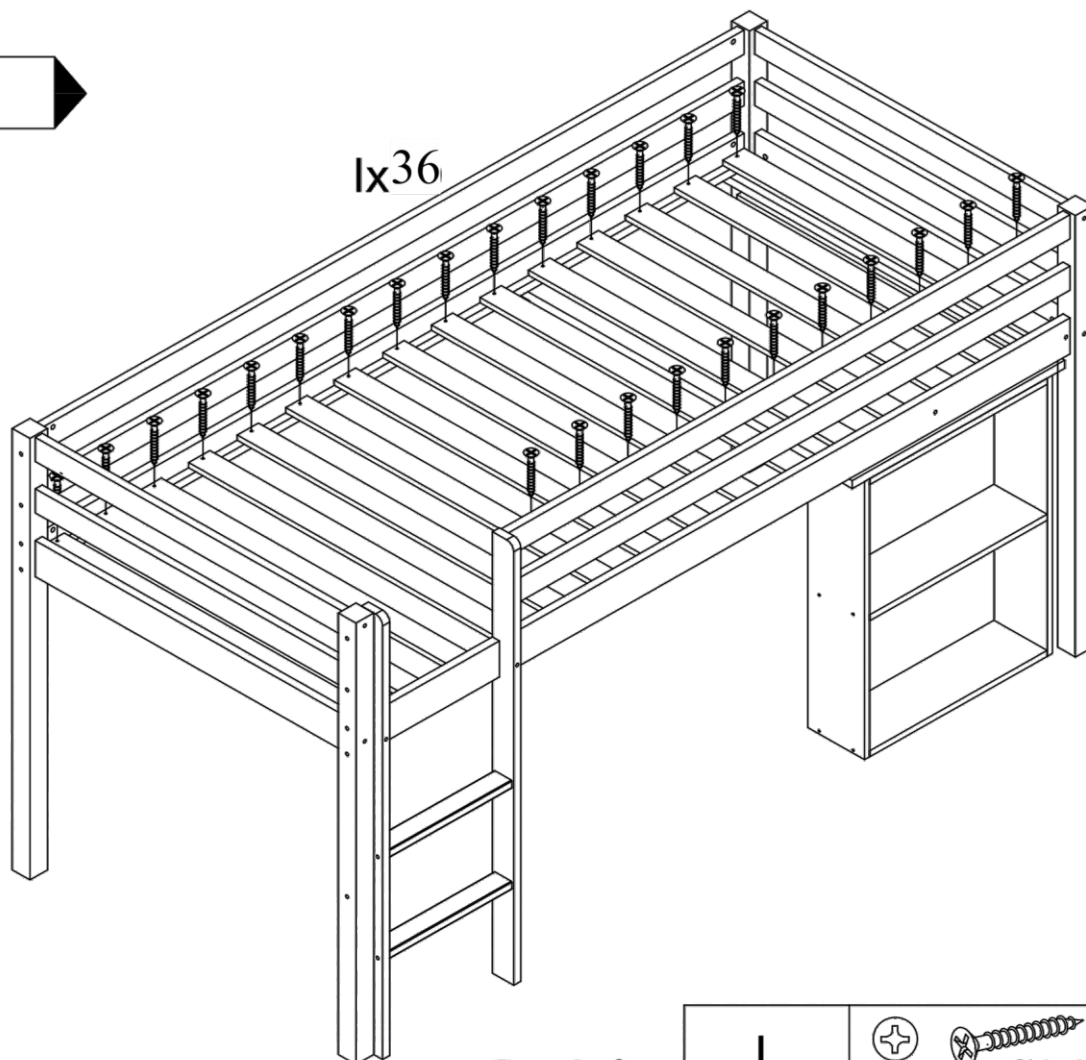
I



Ø4x30mm

04

X.



1x36

7 of 8

I



Ø4x30mm

36